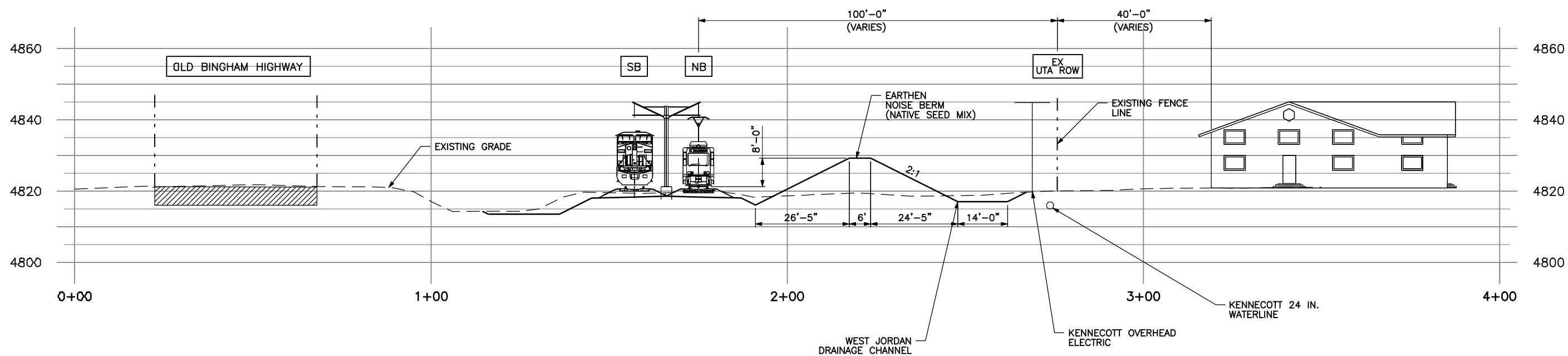
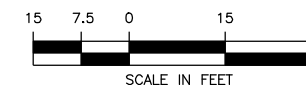
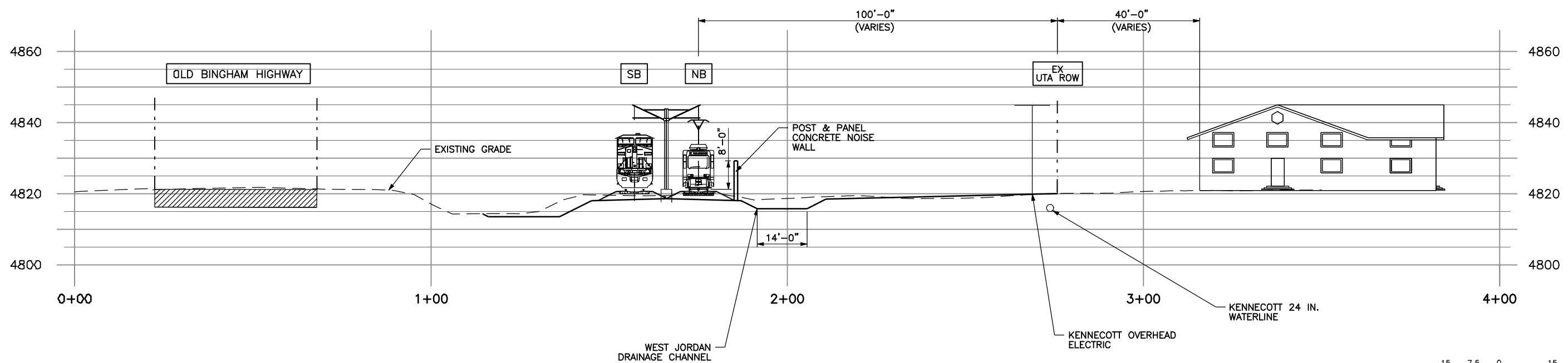


EARTH BERM



SOUND WALL




P0027702 08r65
 10-JUL-2008 File: IP_PWP:dms00898\01-5200W-4800N 2.dgn

REV	DATE	DESCRIPTION

FOR
 EXHIBIT
 ONLY


 669 WEST 200 SOUTH
 SALT LAKE CITY, UT 84101


 Mid-Jordan Transit Corridor
 CONTRACT NO.: UT07-013VT

DESIGNED BY:
DRAWN BY:
CHECKED BY:
APPROVED BY:

MID-JORDAN LIGHT RAIL
 TRANSIT PROJECT
 5200 WEST - 4800 WEST
 PROPOSED EARTH BERM/SOUND WALL #1
 TYPICAL CROSS SECTION

SCALE:
AS SHOWN
CADD FILENAME:
01-5200W-4800N 2
SUBMITTAL DATE:
07/09/08
DRAWING No.:
SHEET No.: