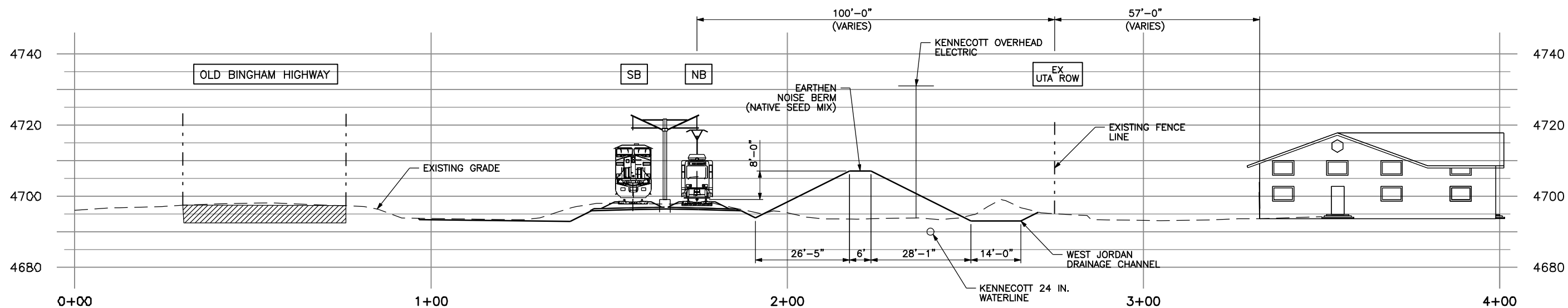
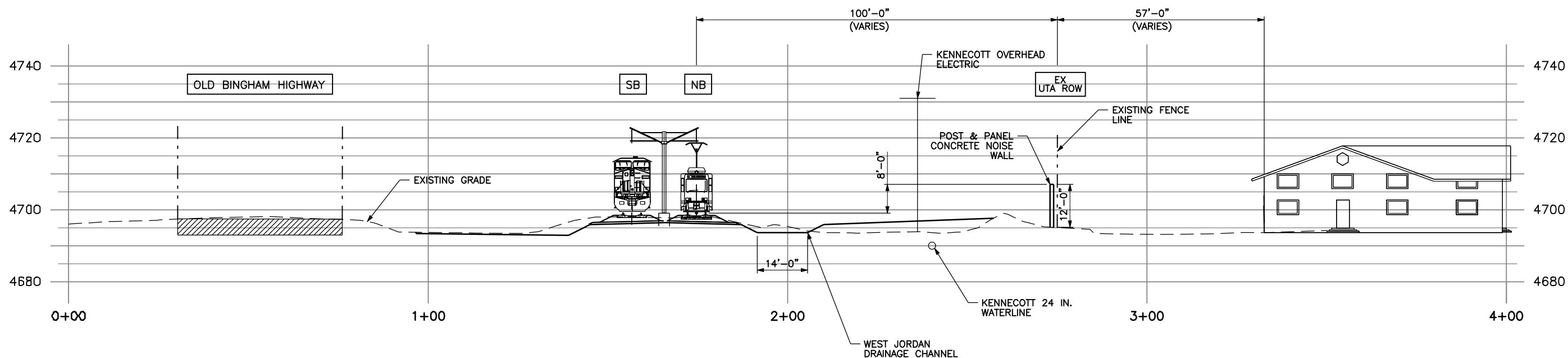


EARTH BERM



SOUND WALL




P0027702 08168
 10-JUL-2008 File: IP_PWP:smc00898\03-WMD-9000S 2.dgn

REV	DATE	DESCRIPTION

FOR
 EXHIBIT
 ONLY


 669 WEST 200 SOUTH
 SALT LAKE CITY, UT 84101


 Mid-Jordan Transit Corridor
 CONTRACT NO.: UT07-013VT

DESIGNED BY:
DRAWN BY:
CHECKED BY:
APPROVED BY:

MID-JORDAN LIGHT RAIL
 TRANSIT PROJECT
 WASATCH MEADOWS DR. - 9000 SOUTH
 PROPOSED EARTH BERM/SOUND WALL #3
 TYPICAL CROSS SECTION

SCALE:
AS SHOWN
CADD FILENAME:
03-WMD-9000S 2
SUBMITAL DATE:
07/09/08
DRAWING No.:
SHEET No.: